

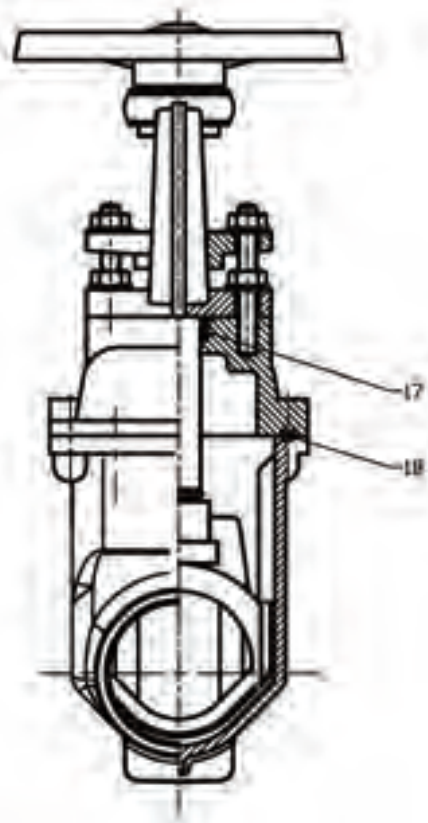
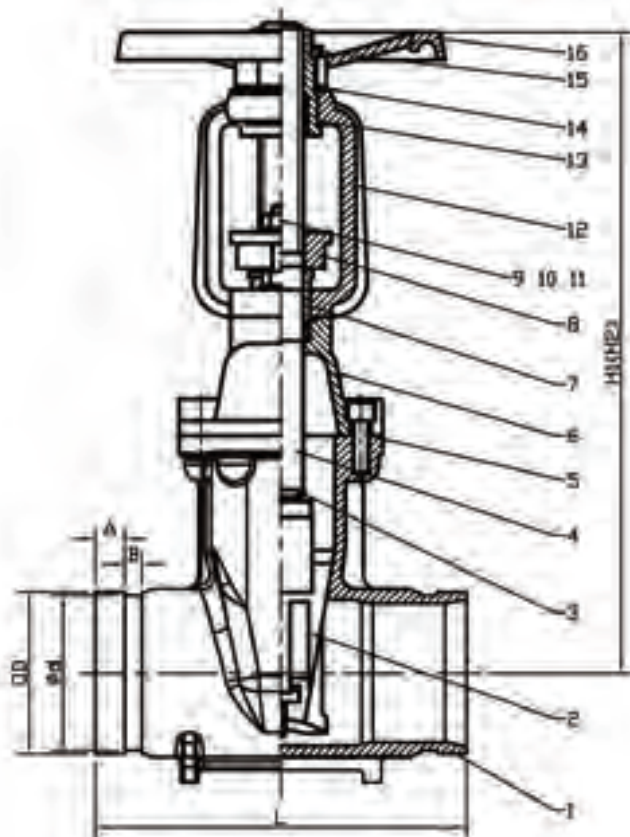
Grooved OS&Y Rising Spindle Gate Valve

TECHNICAL DATA

MANUFACTURER	Mech
MANUFACTURER	XZ81X
MODEL NUMBER	
AFS MODEL NUMBER	GVRG (size)
APPROVAL	FM and UL
CONNECTION ENDS	Groove to ISO 6182
WORKING PRESSURE	2068 KPA
TEMPERATURE RANGE	0°C - 80°C
COATING	Fusion Bonded Epoxy Coating in accordance with ANSI / AWWA C550 or painting upon request



XZ81X



A 1/32 Stennett Road, Ingleburn NSW 2565
P (02) 9618 7666
E sales@ausfiregroup.com.au
W ausfiregroup.com.au

MATERIAL SPECIFICATION

MATERIAL SPECIFICATION			
Part No.	Part	Standard Specification	Options
1	Valve Body	EN-GJS-450-10	
2	Resilient Wedge Disc	EN-GJS-450-10+EPDM	
3	O-Ring	NBR	EPDM
4	Stem	SS420	SS304, SS316, SS431, Al-bronze
5	Nut	Carbon Steel Zinc Plated	SS304, SS316
6	Bonnet	EN-GJS-450-10	
7	Stem Bushing	Brass Hpb59-1	
8	Gland	EN-GJS-450-10	
9	Flat Washer	Carbon Steel Zinc Plated	SS304, SS316
10	Stud	Carbon Steel Zinc Plated	SS304, SS316
11	Nut	Carbon Steel Zinc Plated	SS304, SS316
12	Yoke	EN-GJS-450-10	
13	Stem Nut	Brass Hpb59-1	Bronze ZQSn5-5-5
14	Washer	Brass Hpb59-1	
15	Locknut	Carbon Steel Zinc Plated	
16	Handwheel	EN-GJS-450-10	Pressed Steel
17	Stem Packing	EPDM	NBR
18	Bonnet Gasket	EPDM	NBR

Note: For special material request other than standard specification, please indicate clearly on the inquiry or order list.



DN		Dimensions (mm)						
		L	TypeA		OD	d	A	B
Inch	mm		H1 (Close)	H2 (Open)				
3"	80	203	370	450	88.9	84.94	15.88	7.92
4"	100	229	442	542	114.3	110.08	15.88	9.52
6"	150	267	608	758	165.1	160.9	15.88	9.52
8"	200	292	720	920	219.1	214.4	19.05	11.13
10"	250	330	939	1193	273	268.28	19.05	12.7
12"	300	356	1065	1370	323.9	318.29	19.05	12.7



A 1/32 Stennett Road, Ingleburn NSW 2565
P (02) 9618 7666
E sales@ausfiregroup.com.au
W ausfiregroup.com.au